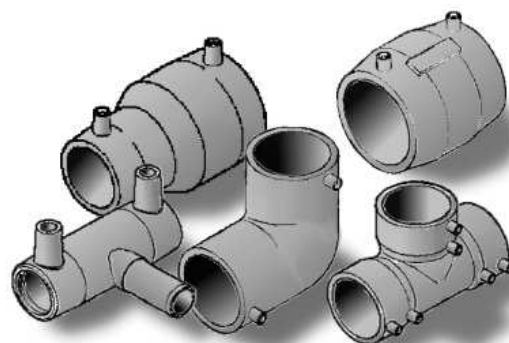




*Innowacyjne aplikacje
z tworzyw sztucznych*

AMARGO[®]

Fittings PE HD



ul. Pogodna 10, Piotrkówek Mały
05-850 Ożarów Mazowiecki
NIP: 723-152-09-67

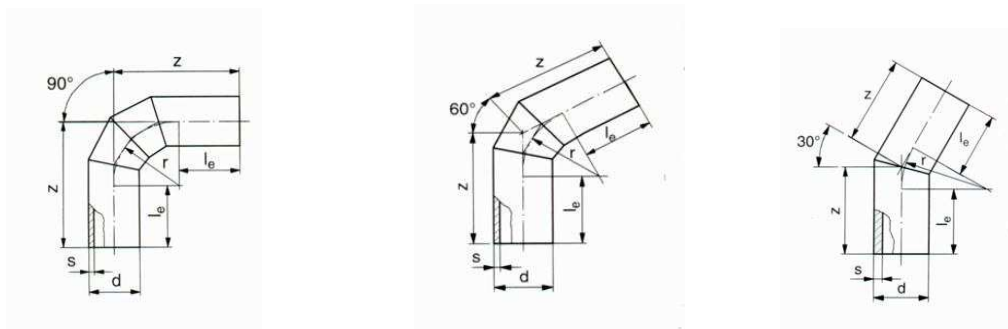
email: biuro@amargo.pl
tel: +48 22 758 88 27, 22 244 29 38,
22 201 24 03
fax: +48 22 722 34 48

www.amargo.pl

A

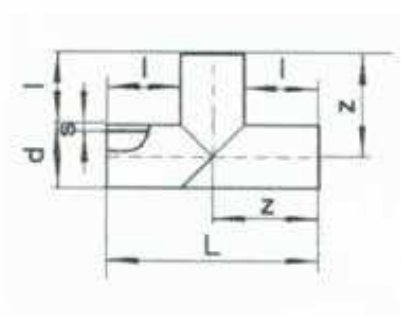
Segment elbows and tees of PE 100

Segment elbows PE100



Elbows SDR11	Elbow 90°	Elbow 31° - 60°	Elbow 15° - 30°	Elbows SDR17	Elbow 90°	Elbow 31° - 60°	Elbow 15° - 30°
Diameter	PLN/pcs	PLN/pcs	PLN/pcs	Diameter	PLN/pcs	PLN/pcs	PLN/pcs
90	70,00	51,00	39,00	90	70,00	47,00	28,00
110	85,00	60,00	54,00	110	77,00	51,00	31,00
125	96,00	70,00	54,00	125	85,00	64,00	37,00
140	120,00	87,00	62,00	140	108,00	77,00	47,00
160	154,00	111,00	70,00	160	139,00	99,00	57,00
180	193,00	147,00	90,00	180	177,00	136,00	93,00
200	239,00	173,00	108,00	200	216,00	162,00	96,00
225	270,00	200,00	131,00	225	247,00	177,00	105,00
250	370,00	277,00	185,00	250	308,00	231,00	150,00
280	447,00	331,00	224,00	280	385,00	273,00	185,00
315	477,00	431,00	308,00	315	439,00	351,00	231,00
355	813,00	672,00	519,00	355	645,00	546,00	409,00
400	1 150,00	882,00	577,00	400	975,00	714,00	472,00
450	-	-	-	450	1 490,00	1 100,00	726,00
500	-	-	-	500	2 000,00	1 485,00	1 000,00
Over	On request	On request	On request	Over	On request	On request	On request

Even-port Tees PE 100



Even-port
tees

SDR 11	SDR 17
SDR 11	SDR 17

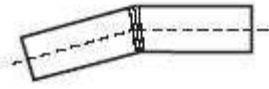
Diameter

	PLN/pcs.	PLN/pcs
90	66,00	62,00
110	84,00	70,00
125	87,00	74,00
140	139,00	90,00
160	131,00	116,00
180	177,00	154,00
200	208,00	185,00
225	247,00	200,00
250	324,00	270,00
280	495,00	378,00
315	666,00	540,00
355	987,00	608,00
400	1 400,0	1 160,00
450	0	
500	-	1 900,00
	-	2 600,00

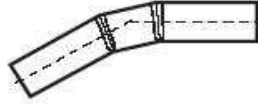
Over

On request	On request
------------	------------

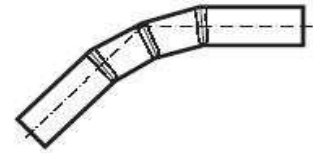
Segment Arcs of PE100



15°



30°

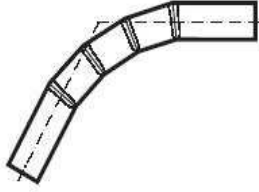


45°

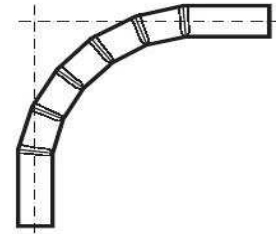
Diameter

Arcs	Arc 15°	Arc	Arc 45°	Diameter	Arc 15°	Arc 30°	Arc 45°
	PLN/pcs	PLN/pcs	PLN/pcs	Arcs	PLN/pcs	PLN/pcs	PLN/pcs
90	41,00	62,00	83,00	90	39,00	59,00	80,00
110	48,00	67,00	86,00	110	41,00	65,00	90,00
125	56,00	77,00	97,00	125	45,00	70,00	96,00
140	65,00	89,00	121,00	140	58,00	82,00	116,00
160	112,00	138,0	167,00	160	98,00	121,00	118,00
180	136,00	165,0	200,00	180	102,00	125,00	154,00
200	176,00	207,0	249,00	200	118,00	155,00	188,00
225	215,00	286,0	347,00	225	156,00	210,00	255,00
250	285,00	337,0	371,00	250	206,00	245,00	285,00
280	348,00	427,0	581,00	280	249,00	296,00	417,00
315	430,00	504,0	712,00	315	318,00	374,00	514,00
Over	on request	on request	on request	Over	on request	on request	on request

Segment Arcs of PE100



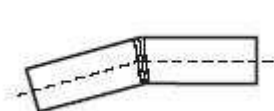
60°



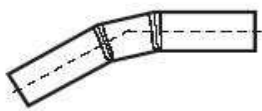
90°

Arcs SDR11 Diameter	Arc 60° PLN/pcs	Arc 90° PLN/pcs	Arcs SDR17 Diameter	Arc 60° PLN/pcs	Arc 90° PLN/pcs
90	105,00	147,00	90	100,00	138,00
110	110,00	157,00	110	116,00	158,00
125	120,00	169,00	125	125,00	165,00
140	149,00	212,00	140	137,00	195,00
160	196,00	254,00	160	154,00	201,00
180	233,00	318,00	180	176,00	246,00
200	289,00	374,00	200	205,00	259,00
225	365,00	505,00	225	281,00	395,00
250	550,00	693,00	250	399,00	506,00
280	668,00	841,00	280	481,00	608,00
315	819,00	1032,00	315	591,00	774,00
Over	on request	on request	Over	on request	on request

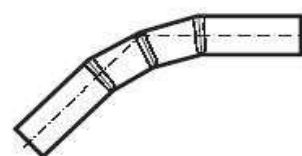
Segment Arcs of PE80



15°



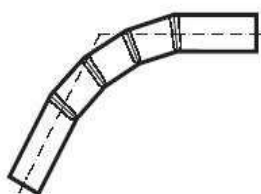
30°



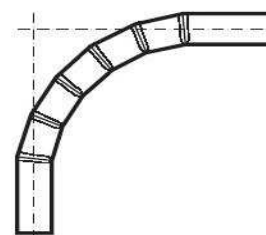
45°

Arcs SDR11				Elbows 45°			
Diameter	Arc 15°	Arc 30°	Arc SDR17	Diameter	Arc 15°	Arc 30°	Arc 45°
	/pcs	PLN/pcs	PLN/pcs		PLN/pcs	PLN/pcs	PLN/pcs
90		59,00	78,00	90	36,00	54,00	73,00
110	38,00	66,00	88,00	110	38,00	60,00	82,00
125	46,00	75,00	94,00	125	41,00	65,00	88,00
140	54,00	90,00	116,00	140	53,00	75,00	106,00
160	65,00	159,00	159,00	160	90,00	110,00	113,00
180	109,00	155,00	188,00	180	93,00	114,00	140,00
200	127,00	194,00	234,00	200	108,00	141,00	171,00
225	164,00	269,00	326,00	225	142,00	191,00	232,00
250	201,00	314,00	347,00	250	188,00	223,00	260,00
280	265,00	382,00	541,00	280	227,00	270,00	380,00
315	323,00	469,00	661,00	315	290,00	340,00	468,00
Over	on request	on request	on request	Over	on request	on request	on request

Segment Arcs of PE80



60°

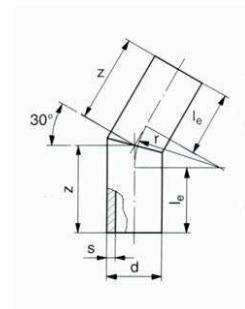
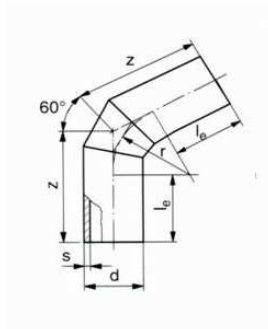
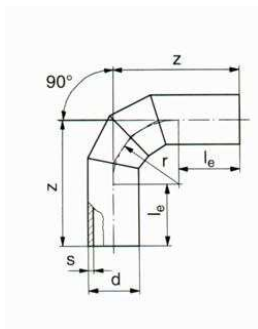


90°

Arcs SDR11 Średnica	Arc 60° PLN/pcs	Arc 90° PLN/pcs	Arcs SDR17 Średnica	Arc 60° PLN/pcs	Arc 90° PLN/pcs
90	98,00	125,00	90	91,00	126,00
110	151,00	134,00	110	106,00	144,00
125	118,00	162,00	125	103,00	150,00
140	146,00	202,00	140	125,00	178,00
160	187,00	243,00	160	140,00	183,00
180	220,00	300,00	180	160,00	224,00
200	272,00	353,00	200	187,00	236,00
225	344,00	476,00	225	256,00	360,00
250	512,00	647,00	250	363,00	460,00
280	622,00	785,00	280	438,00	553,00
315	761,00	960,00	315	538,00	704,00
Over	on request	on request	Over	on request	on request

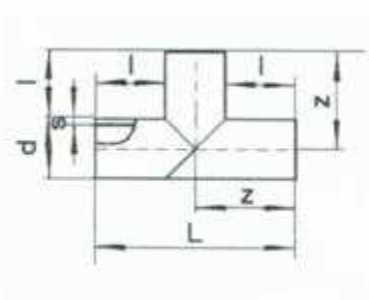
Segment elbows and tees of PE 80

Segment Elbows of PE 80



Elbows SDR11	Elbow 90°	Elbow 31° - 60°	Elbow 15° - 30°	Elbows SDR17	Elbow 90°	Elbow 31° - 60°	Elbow 15° - 30°
Diameter	PLN/pcs.	PLN/pcs.	PLN/pcs.	Diameter	PLN/pcs.	PLN/pcs.	PLN/pcs.
90	71,00	50,00	28,00	90	54,00	47,00	27,00
110	84,00	59,00	37,00	110	77,00	54,00	30,00
125	93,00	65,00	47,00	125	85,00	60,00	34,00
140	116,00	80,00	56,00	140	108,00	77,00	44,00
160	147,00	105,00	64,00	160	131,00	93,00	54,00
180	185,00	137,00	87,00	180	162,00	124,00	85,00
200	228,00	164,00	108,00	200	193,00	151,00	93,00
225	262,00	185,00	124,00	225	231,00	170,00	96,00
250	331,00	247,00	170,00	250	277,00	208,00	130,00
280	400,00	302,00	193,00	280	316,00	247,00	154,00
315	477,00	416,00	277,00	315	400,00	324,00	200,00
Over	on request	on request	on request	Over	on request	on request	on request

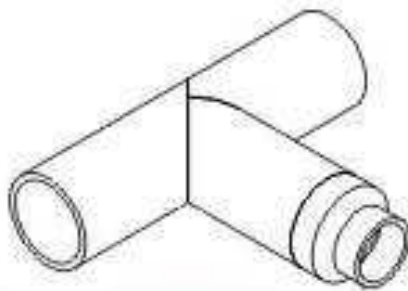
Even-port Tees PE 80



Even-port tees	SDR 11	SDR 17
	SDR 11	SDR 17
Diameter	PLN/pcs.	PLN/pcs.
90	62,00	57,00
110	70,00	65,00
125	85,00	74,00
140	116,00	94,00
160	139,00	124,00
180	185,00	154,00
200	224,00	193,00
225	262,00	216,00
250	324,00	270,00
Over	on request	on request

Reduction segment tees

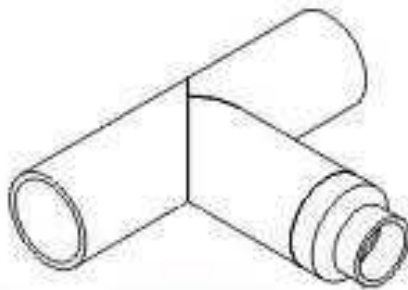
90° PE 100 PE 100 SDR 17



d	PLN/pcs. SDR 17	d	PLN/pcs. SDR 17
90-50		200-63	372,00
90-63	80,00	200-75	372,00
90-75	80,00	200-90	355,00
110-50	80,00	200-110	355,00
110-63	92,00	200-125	360,00
110-75	92,00	200-140	353,00
110-90	92,00	200-160	315,00
125-63	92,00	200-180	301,00
125-75	102,00	225-63	420,00
125-90	102,00	225-75	420,00
125-110	102,00	225-90	403,00
140-75	102,00	225-110	400,00
140-90	124,00	225-125	403,00
140-110	124,00	225-140	390,00
140-125	124,00	225-160	364,00
160-63	124,00	225-180	355,00
160-75	172,00	225-200	337,00
160-90	172,00	225-63	543,00
160-110	156,00	225-75	543,00
160-125	156,00	250-90	526,00
160-140	156,00	250-110	526,00
180-63	156,00	250-125	526,00
180-75	229,00	250-140	526,00
180-90	229,00	250-160	487,00
180-110	212,00	250-180	471,00
180-125	212,00	250-200	459,00
180-140	210,00	250-225	446,00
180-160	207,00		
	207,00		

Reduction segment tees

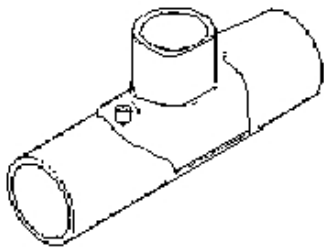
90° PE 100 PE 100 SDR 11



d	PLN/pcs. SDR 17	d	PLN/pcs. SDR 17
90-50		200-63	395,00
90-63	84,00	200-75	395,00
90-75	84,00	200-90	378,00
110-50	84,00	200-110	378,00
110-63	106,00	200-125	383,00
110-75	106,00	200-140	376,00
110-90	106,00	200-160	339,00
125-63	106,00	200-180	324,00
125-75	115,00	225-63	472,00
125-90	115,00	225-75	472,00
125-110	115,00	225-90	455,00
140-75	115,00	225-110	456,00
140-90	173,00	225-125	455,00
140-110	173,00	225-140	442,00
140-125	173,00	225-160	415,00
160-63	173,00	225-180	407,00
160-75	187,00	225-200	388,00
160-90	187,00	225-63	603,00
160-110	171,00	225-75	603,00
160-125	171,00	250-90	586,00
160-140	171,00	250-110	586,00
180-63	171,00	250-125	586,00
180-75	252,00	250-140	586,00
180-90	252,00	250-160	547,00
180-110	235,00	250-180	532,00
180-125	235,00	250-200	517,00
180-140	233,00	250-225	505,00
180-160	230,00		
	230,00		

Prefabricated segment tees

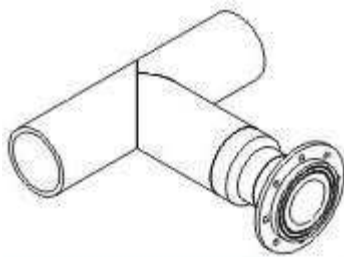
90° PE 100 SDR 11 PE 100 SDR 17



d	PLN/pcs.	d	PLN/pcs.
90-63	85,00	250-63	400,00
110-63	95,00	250-90	520,00
110-40	95,00	250-110	570,00
110-75	95,00	250-125	620,00
125-40	105,00	280-63	420,00
125-63	105,00	280-90	570,00
125-75	140,00	280-110	620,00
125-90	140,00	280-125	670,00
140-40	140,00	315-63	500,00
140-63	140,00	315-90	660,00
140-90	180,00	315-110	710,00
160-40	165,00	315-125	760,00
160-63	165,00	355-63	1300,00
160-90	200,00	355-90	1300,00
180-40	210,00	355-110	1500,00
180-63	210,00	355-125	1500,00
180-90	390,00	400-63	1400,00
180-110	390,00	400-90	1600,00
180-125	390,00	400-110	1700,00
200-40	250,00	400-125	1800,00
200-63	250,00	450-63	1450,00
200-90	425,00	450-90	1650,00
200-110	445,00	450-110	1800,00
200-125	465,00	450-125	1900,00
225-40	280,00	500-63	1700,00
225-63	280,00	500-90	1800,00
225-90	480,00	500-110	1900,00
225-110	500,00	500-125	2000,00

Reduction segment collar tees

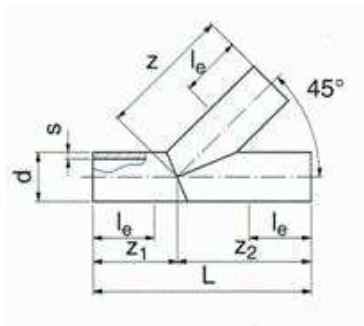
90° PE 100 SDR 11 PE 100 SDR 17



d	PLN/pcs. SDR 17	PLN/pcs. SDR 11
90-50		
90-63	105,00	110,00
90-75	113,00	118,00
110-50	119,00	124,00
110-63	117,00	132,00
110-75	125,00	140,00
110-90	131,00	147,00
125-63	141,00	157,00
125-75	135,00	149,00
125-90	141,00	155,00
125-110	151,00	166,00
160-63	161,00	176,00
160-75	205,00	222,00
160-90	212,00	228,00
160-110	205,00	222,00
200-63	215,00	232,00
200-75	405,00	429,00
200-90	411,00	436,00
200-110	404,00	429,00
200-63	414,00	439,00
200-75	453,00	506,00
225-90	459,00	512,00
225-110	452,00	506,00
250-63	460,00	518,00
250-75	846,00	962,00
250-90	853,00	968,00
250-110	846,00	962,00
	856,00	972,00

45-60° SDR 17 even-port segment tees

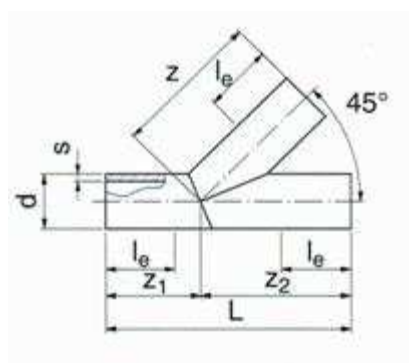
GROUP V ARTICLE



d	PLN/pcs.
90	100.00
110	120.00
125	140.00
140	155.00
160	210.00
180	250.00
200	300.00
225	380.00
250	550.00

45-60° SDR 17 reduction segment tees

GROUP V ARTICLE



d	PLN/pcs.
110-90	140.00
125-90	150.00
125-110	160.00
160-90	230.00
160-110	240.00
160-125	250.00
180-90	330.00
180-110	340.00
180-125	350.00
180-160	360.00
200-90	490.00
200-110	495.00
200-125	510.00
200-160	545.00
225-90	585.00
225-110	590.00
225-125	595.00
225-160	620.00
250-90	865.00
250-110	870.00
250-125	875.00
250-160	880.00
315-90	930.00
315-110	935.00
315-125	950.00
315-160	970.00

90° Elbow - long

PE 100



d	S		l	Z	Stp.	€/pcs.	
	SDR 17.6	SDR 11				SDR 17.6	SDR 11
25		2.3	42	63	5	-	2,4
32		3.0	47	72	5	-	2,55
40		3.7	44	69	5	-	3,25
50		4.6	50	77	5	-	4,35
63		5.8	56	95	5	8,40	7,9
75	4.5	6.9	72	116	2	9,45	10,40
90	5.4	8.2	78	139	2	10,70	12,00
110	6.6	10.0	86	253	2	19,95	22,10
125	7.4	11.4	104	180	1	25,40	28,20
140	8.3	12.8	119	198	1	31,20	31,50
160	9.5	14.6	117	210	1	37,10	41,30
180	10.7	16.4	116	222	1	41,80	46,40
200	11.9	18.2	128	250	1	57,10	63,60
225	13.4	20.5	136	269	1	68,35	75,60
250	14.	22.7	180	307	1	135,00	150,20
280	15.9	25.4	200	340	1	202,90	253,00
315	17.9	28.6	210	370	1	254,00	318,60

45° Elbow - long

PE 100



d	S					€/pcs.	
	SDR 17.6	SDR 11	I	Z	Stp.	SDR 17.6	SDR 11
25							
32		2.3	35	41	5	-	2,80
40		3.0	47	48	5	-	3,10
50		3.7	44	58	5	-	3,90
63		4.6	54	74	5	-	4,40
75		5.8	56	82	5	8,50	7,90
90	4.5	6.9	75	96	2	9,60	10,70
110	5.4	8.2	84	120	2	10,70	12,00
125	6.6	10.0	91	129	2	17,50	19,50
140	7.4	11.4	101	147	1	25,40	28,20
160	8.3	12.8	104	153	1	31,20	34,00
180	9.5	14.6	113	169	1	37,10	41,30
200	10.7	16.4	120	186	1	41,80	46,80
225	11.9	18.2	127	221	1	57,10	63,80
250	13.4	20.5	134	218	1	68,35	76,00
280	14.2	22.7	155	217	1	135,00	150,20
315	15.9	25.4	162	232	1	202,90	253,00
	17.9	28.6	173	251	1	254,00	318,60

30° Elbow - long

PE 100



d	S		I	Z	Stp. Stp.	€/szt.	
	SDR	SDR				SDR	SDR 11 SDR 11
0	17.6	11	17.6	11		17.6	
90	4.5	6.8	77	108	2	20,40	22,65
110	5.4	8.2	85	116	2	22,50	25,35
125	6.6	10.0	96	130	2	27,90	31,70
140	7.4	11.4	102	143	1	33,30	39,70
160	8.3	12.8	110	148	1	40,90	48,70
180	9.5	14.6	108	154	1	60,30	67,30
200	10.7	16.4	116	160	1	67,90	73,50
225	11.9	18.2	122	170	1	92,60	100,40
	13.4	20.5	129	185	1	110,70	116,40

90° Elbow - short

PE 100



d	S		I	PE HD Fittings 01.10.2008	€/szt.
	SDR	SDR			
25	17.6	11	min		
32	17.6	11	min		
40		2.3	13		
50		3.0	14		
63		3.7	16		
75		4.6	22		
90		5.8	27		
90	4.5	6.9	27		
110	5.4	8.2	32		
125	6.6	10.0	40		
140	7.4	11.4	50		
160	8.3	12.8	56		
180	9.5	14.6	63		
200	10.7	16.4	63		
225	11.9	18.2	70		
	13.4	20.5	79		

Z	Stp.		SDR 11				
Z	Stp.	17.6	SDR 11	107	2	13,65	13,86
				128	1	17,12	19,53
37	5		1,63	136	1	24,89	26,15
39	5		1,79	159	1	27,41	31,71
46	5		2,21	179	1	33,81	37,59
51	5		2,73	198	1	42,00	55,97
68	5		3,89	219	1	51,98	66,99
72	2	5,15	5,25				
95	2	6,51	7,35				

45° Elbow - short

PE 100



d	S		I	Z	Z	Stp. Stp.	€/pcs.	
	SDR	SDR					SDR	SDR 11 SDR 11
25	17.6	11	min	Z			17.6	
32	17.6	11	min	Z				
32		2.3	16	25	5			1,63
40		3.0	16	32	5			1,79
50		3.7	16	40	5			2,21
63		4.6	16	40	5			2,73
75		5.8	21	48	5			3,89
90	4.5	6.9	25	75	2		5,15	5,25
110	5.4	8.2	30	68	2		6,51	7,35
140	6.6	10.0	38	83	2		13,65	13,86
160	8.3	12.8	49	105	1		24,89	26,15
180	9.5	14.6	56	120	1		27,41	31,71
200	10.7	16.4	63	135	1		33,81	37,59
225	11.9	18.2	70	150	1		42,00	55,97
	13.4	20.5	79	169	1		51,98	66,99

90° Arc

PE 100



da OD [mm]	PPR. PE 80 - SDR 32.25			PE 100 - SDR 33	
	r [mm]	z [mm]	s [mm]	Weight [kg]	Price €/pcs.
110					
125	110	120±2.5	3.5	0.23	-
140	125	140±4	3.9	0.35	-
160	140	150±4	4.4	0.47	-
180	155	170±4	5.0	0.71	-
200	175	200±4	5.6	1.06	-
225	197	220±4	6.2	1.39	-
250	230	245±4	7.0	1.90	-
280	265	290±5	7.8	2.35	-
315	280	290±5	8.7	3.39	-
355	300	340±5	9.7	4.74	-
400	300	340±5	11.1	7.22	-
450	300	345±5	12.4	9.26	-
500		on order			-
		on order			-

90° Arc - short

PE 100

d	S					€/pcs.	
	SDR 17.6	SDR 11	l	Z	Stp.	SDR 17.6	SDR 11
25		11					
32		2.3	5	32	10		1,63
40		3.0	6	37	10		1,79
50		3.7	8	44	10		2,21
63	2.9	4.6	10	51	5	3,15	2,73
75	3.8	5.8	12	66	5	4,31	3,89
90	4.5	6.9	14	87	2	5,15	5,25
110	5.4	8.2	15	100	2	6,51	7,35
125	6.6	10.0	15	118	2	13,65	13,86
140	7.4	11.4	15	138	1	17,12	19,53
160	8.3	12.8	20	155	1	24,89	26,15
180	9.5	14.6	20	178	1	27,41	31,71
200	10.7	16.4	20	195	1	33,81	37,59
225	11.9	18.2	20	210	1	42,00	55,97
250	13.4	20.5	20	236	1	51,98	66,99
280	14.8	22.8	30	279	1	84,21	128,00
315	16.6	25.5	40	316	1	109,94	167,90
	18.7	28.7	40	352	1	151,52	231,21



90° Tee - long

PE 100



d	S					€/pcs.	
	SDR 17.6	SDR 11	I	Z	Stp.	SDR 17.6	SDR 11
25							
32		2.3	41	62	5		2,90
40		3.0	51	75	5		3,50
50		3.7	55	82	5		4,20
63		4.6	51	83	5		5,50
75		5.8	70	114	5	7,90	7,60
90	4.5	6.9	73	120	2	9,90	11,40
110	5.4	8.2	86	153	2	14,95	17,60
125	6.6	10.0	95	168	2	21,30	25,00
140	7.4	11.4	100	177	1	30,00	35,30
160	8.3	12.8	105	193	1	45,60	53,30
180	9.5	14.6	124	225	1	52,85	61,90
200	10.7	16.4	119	233	1	74,40	87,50
225	11.9	18.2	127	251	1	106,40	126,00
250	13.4	20.5	138	272	1	126,70	149,20
280	14.2	22.8	148	314	1	153,00	211,90
315	15.9	25.5	160	346	1	262,30	308,60
	17.9	28.7	170	380	1	335,50	457,04

90° Reduction tee - long

PE 100



d-d ₁ -d	S	S ₁	S	S ₁	l	SDR 17.6	SDR 11
63-32-63			5.8	3.0	70		
110-63-110	6.6	5.8	10.0	5.8	88		15,50
110-90-110	6.6	5.4	10.0	8.2	91	24,20	28,00
125 -110- 125	7.1	6.3	11.4	10.0	95	31,30	34,00
140-63-140	8.3	5.8	12.8	5.8	105	39,10	44,10
140-75-140	8.3	4.5	12.8	6.9	105	52,80	61,60
140-90-140	8.3	5.4	12.8	8.2	105	52,80	61,60
140-110- 140	8.3	6.6	12.8	10.0	105	52,80	61,60
160-63-160	9.5	5.8	14.6	3.0	110	54,90	63,90
160-75-160	9.5	4.5	14.6	6.9	111	66,40	73,80
160-90-160	9.5	5.4	14.6	8.2	111	68,50	74,40
160-110- 160	9.5	6.6	14.6	10.0	111	68,50	74,40
180-75-180	10.7	4.5	16.4	6.8	116	69,10	76,30
180-90-180	10.7	5.4	16.4	8.2	116	105,70	105,70
180-110- 180	10.7	6.6	16.4	10.0	116	105,70	105,70
180-125- 180	10.7	7.4	16.4	11.4	116	105,70	105,70
180-160- 180	10.7	8.3	16.4	14.6	116	110,10	122,40
225-90-225	12.8	5.1	20.5	8.2	116	185,10	205,10
225-110- 225	12.8	6.6	20.5	10.0	120	156,30	173,60
225-125- 225	12.8	7.4	20.5	11.4	120	156,50	174,00
225-160- 225	12.8	9.9	20.5	14.6	120	156,70	174,10

90° tee - short

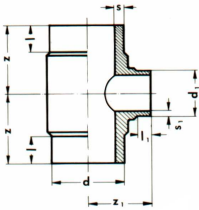
PE 100



d	S					€/pcs.	
	SDR 17.6	SDR 11	I min	Z	Stp.	SDR 17.6	SDR 11
25							
32		2.3	16	42	5		1,47
40		3.0	16	40	5		1,68
50		3.7	16	45	5		2,52
63	2.9	4.6	16	60	5	3,68	3,36
75	3.8	5.8	21	70	5	4,83	5,15
90	4.5	6.9	25	75	2	7,8	10,08
110	5.4	8.2	30	100	2	11,13	14,60
125	6.6	10.0	48	115	2	18,27	21,42
140	7.4	11.4	43	130	1	25,20	29,61
160	8.3	12.8	49	142	1	29,72	37,07
180	9.5	14.6	56	162	1	55,86	62,37
200	10.7	16.4	63	177	1	68,36	80,22
225	11.9	18.2	70	195	1	93,45	114,56
250	13.4	20.5	79	225	1	109,67	136,08
280	14.8	22.8	62	270	1	145,32	175,14
315	16.6	25.5	70	310	1	184,70	241,50
	18.7	28.7	80	348	1	246,12	372,90

90° Reduction tee - short

PE 100



d-d ₁ -d	SDR 17/17.6		SDR 11		l min min	€/pcs.	
	S	S ₁	S	S ₁		SDR 17/17.6	SDR 11
110-63-110	6.6	5.8	10.0	5.8	48	18,38	28,67
110-90-110	6.6	5.1	10.0	8.2	48	18,48	29,30
160-110-160	9.5	6.3	14.6	10.0	56	55,65	61,53
225-110-225	13.4	6.3	20.5	10.0	89	105,11	131,78
225-125-225	13.4	7.1	20.5	11.4	79	106,89	133,25
225-160-225	13.4	9.1	20.5	14.6	89	107,94	134,82

Reduction - long

PE 100



d	SDR 17.6		SDR 11		Stp.	€/szt.	
	S	S ₁	S	S ₁		SDR 17.6	SDR 11
32-25			3.0	2.3	10		
40-20			3.7	1.9	10		1,80
40-25			3.7	2.3	10		2,60
40-32			3.7	3.0	10		2,60
50-25			4.6	2.3	10		2,60
50-32			4.6	3.0	10		2,80
50-40			4.6	3.7	10		3,10
63-32			5.8	3.0	10		3,10
63-40			5.8	3.7	10		4,20
63-50			5.8	4.6	10		4,20
75-50			6.9	4.6	5		4,20
75-63	4.5	5.8	6.9	5.8	5	6,40	6,40
90-50	5.4	4.6	8.2	4.6	5	6,40	6,40
90-63	5.4	5.8	8.2	5.8	5	8,90	8,90
90-75	5.4	4.5	8.2	6.9	5	8,90	8,90
110-63	6.6	5.8	10.0	5.8	5	8,90	8,90
110-75	6.6	5.4	10.0	8.2	5	11,70	11,70
110-90	6.6	5.4	10.0	8.2	5	11,70	11,70
125-63	7.4	5.8	11.4	5.8	1	11,70	11,70
125-75	7.4	4.5	11.4	6.9	1	14,20	14,20
125-90	7.4	5.4	11.4	8.2	1	14,20	14,20
125-110	7.4	6.6	11.4	10.0	1	14,20	14,20
140-90	8.3	5.4	12.7	8.2	1	14,20	14,20
140-110	8.3	6.6	12.7	10.0	1	20,30	20,30
140-125	8.3	7.4	12.7	11.4	1	20,30	20,30
160-90	9.5	5.4	14.6	8.2	1	20,30	20,30
160-110	9.5	6.6	14.6	10.0	1	27,20	27,20
160-125	9.5	7.4	14.6	11.4	1	27,20	27,20
160-140	9.5	8.3	14.6	12.8	1	27,20	27,20
180-125	10.7	7.4	16.4	11.4	1	27,20	27,20
180-160	10.7	9.5	16.4	14.6	1	30,60	30,60
200-125	11.9	7.4	18.2	11.4	1	33,20	33,20
200-160	11.9	9.5	18.2	14.6	1	38,60	38,60
225-110	13.4	6.6	20.5	10.0	1	38,60	38,60
225-160	13.4	9.5	20.5	14.6	1	62,00	62,00
225-180	13.4	10.7	20.5	16.4	1	62,00	62,00
250-160	14.8	9.5	22.8	14.6	1	62,00	62,00
250-180	14.8	13.4	22.8	16.4	1	84,30	84,30
250-200	14.8	11.9	22.8	18.2	1	88,10	88,10
						88,10	88,10

AMARGO

PE HD Fittings
01.10.2008



d	SDR 17/17.6		SDR 11		Stp.	€/pcs.	
	S	S ₁	S	S ₁		SDR17/ 17.6 17.6	SDR 11 SDR 11
250-225	14.8	13.4	22.8	20.5	1		
280-180	16.6	10.2	25.4	16.4	1	88,10	88,10
280-200	16.6	11.4	25.4	18.2	1	110,50	110,50
280-225	16.6	12.8	25.4	20.5	1	110,50	110,50
280-250	16.6	14.8	25.4	22.7	1	110,50	110,50
315-225	18.7	13.4	28.6	20.5	1	105,20	105,20
315-250	18.7	14.8	28.6	22.7	1	150,70	150,70
315-280	18.7	16.6	28.6	25.4	1	150,70	150,70
355-250	21.1	14.8	32.2	22.7	1	150,70	150,70
355-280	21.1	16.6	32.2	25.4	1	240,00	240,00
355-315	21.1	18.7	32.2	28.6	1	359,60	359,60
400-280	23.7	16.6	36.3	25.4	1	385,00	385,00
400-315	23.7	18.7	36.3	28.6	1	390,00	390,00
400-355	23,7	21,1	36,3	32,2	1	376,50	376,50
						401,20	401,20

Reduction - short

PE 80, PE100



d	SDR 17/17.6		SDR 11		Stp.	€/szt.	
	S	S ₁	s	s ₁		SDR 17/17.6 17/17.6	SDR 11 SDR 11
32-25			3.0	2.3	10		2,10
40-25			3.7	2.3	10		2,52
40-32			3.7	3.0	10		2,52
50-25			4.6	2.3	10		2,63
50-32			4.6	3.0	10		2,63
50-40	2.9	2.3	4.6	3.7	10		2,63
63-32	3.8	2.9	5.8	3.0	10	3,15	2,63
63-40	3.8	2.3	5.8	3.7	10	3,68	3,05
63-50	3.8	2.9	5.8	4.6	10	3,68	3,05
75-40	4.5	2.3	6.9	3.7	5	3,68	3,05
75-50	4.5	2.9	6.9	4.6	5	4,31	3,99
75-63	4.5	3.8	6.9	5.8	5	4,31	3,99
90-50	5.4	4.6	8.2	4.6	5	4,31	3,99
90-63	5.4	5.8	8.2	5.8	5	4,31	4,31
90-75	5.4	4.5	8.2	6.9	5	4,31	4,31
110-50	6.6	2.9	10.0	4.6	5	4,31	4,31
110-63	6.6	5.8	10.0	5.8	5	5,36	5,36
110-75	6.6	4.5	10.0	6.9	5	5,36	5,36
110-90	6.6	5.4	10.0	8.2	5	5,36	5,36
125-63	7.4	3.8	11.4	5.8	1	5,36	5,36
125-75	7.4	4.5	11.4	6.9	1	6,83	6,83
125-90	7.4	5.4	11.4	8.2	1	6,83	6,83
125-110	7.4	6.6	11.4	10.0	1	6,83	6,83
140-75	8.3	4.5	12.7	6.9	1	6,83	6,83
140-90	8.3	5.4	12.7	8.2	1	8,40	8,40
140-110	8.3	6.6	12.7	10.0	1	8,40	8,40
140-125	8.3	7.4	12.7	11.4	1	8,40	8,40
160-90	9.5	5.4	14.6	8.2	1	8,40	8,40
160-110	9.5	6.6	14.6	10.0	1	9,77	9,77
160-125	9.5	7.4	14.6	11.4	1	9,77	9,77
160-140	9.5	8.3	14.6	12.7	1	9,77	9,77
180-90	10.7	5.4	14.6	8.2	1	9,77	9,77
180-110	10.7	6.6	14.6	10.0	1	14,49	14,49
180-125	10.7	7.4	16.4	11.4	1	14,49	14,49
180-140	10.7	8.3	16.4	12.7	1	13,76	13,76
180-160	10.7	9.5	16.4	14.6	1	13,23	13,23
200-125	11,9	8,3	16,4	14,6	1	13,23	13,23
						43,58	43,58

AMARGO

PE HD Fittings
01.10.2008



200-140	11.9	8.3	18.2	12.7	1	42,00	42,00
200-160	11.9	9.5	18.2	14.6	1	32,55	32,55
200-180	11.9	10.7	18.2	16.4	1	28,98	28,98
225-110	13.4	6.6	20.5	14.6	1	49,88	52,19
225-140	13.4	8.3	20.5	12.7	1	47,46	48,62
225-160	13.4	9.5	20.5	14.6	1	40,85	42,00
225-180	13.4	10.7	20.5	16.4	1	38,75	39,80
225-200	13.4	11.9	20.5	18.2	1	34,28	35,07
250-160	14.8	9.5	22.8	14.6	1	54,18	55,65
250-180	14.8	10.7	22.8	16.4	1	50,19	51,77
250-200	14.8	11.9	22.8	18.2	1	46,20	47,36
250-225	14.8	13.4	22.8	20.5	1	43,89	45,05
280-200	16.6	11.9	25.4	18.2	1	60,27	70,88
280-225	16.6	13.4	25.4	20.5	1	56,39	57,96
280-250	16.6	14.8	25.4	22.7	1	54,18	55,65
315-200	18.7	11.9	28.6	18.2	1	77,07	79,07
315-225	18.7	13.4	28.6	20.5	1	65,52	67,31
315-250	18.7	14.8	28.6	22.7	1	62,06	63,74
315-280	18.7	16.6	28.6	25.5	1	58,17	59,64
355-225	21.1	13.4	32.2	20.5	1	111,30	107,94
355-250	21.1	14.8	32.2	22.7	1	101,01	103,53
355-280	21.1	16.6	32.2	25.4	1	93,98	101,43
355-315	21.1	18.7	32.2	28.6	1	90,83	93,24
400-280	23.7	16.6	36.3	25.4	1	302,93	302,93
400-315	23.7	18.7	36.3	28.6	1	252,53	287,39
400-355	23.7	21.1	36.3	32.2	1	252,53	252,53
450-400	26.7	23.7	41.0	36.4	1	252,53	275,84
500-450	29.7	26.7	45.5	41.0	1	349,23	383,04
560-500	33.2	29.7	51.0	45.5	1	315,21	344,19
630-500	37.4	29.7	57.3	45.5	1	525,53	525,53
630-560	37.4	33.2	57.3	51.0	1	392,70	411,92

Plug - long

PE 80, PE 100



d	S					€/pcs.	
	SDR 17/17.6	SDR 11	L	I	Stp.	SDR 17/17.6	SDR 11
25							
32		2.3	52	46	10		2,20
40		3.0	57	48	10		2,70
50		3.7	68	56	10		3,30
63		4.6	74	58	10		4,30
75		5.8	79	66	5		5,70
90	4.5	6.9	79	67	1	10,50	10,50
110	5.4	8.2	93	73	2	12,70	12,70
125	6.6	10.0	105	80	2	16,20	16,20
140	7.4	11.4	124	95	1	18,50	18,50
160	8.3	12.8	140	110	1	23,20	23,40
180	9.5	14.6	152	121	1	24,40	24,40
200	10.7	16.4	169	134	1	33,60	33,60
225	11.9	18.2	184	140	1	41,80	41,80
250	13.4	20.5	200	160	1	50,00	50,00
280	14.2	22.7	230	152	1	57,60	57,60
315	15.9	25.4	257	162	1	81,20	81,20
	17.9	28.6	262	167	1	111,20	111,20

Prefabricated ring beam - long

PE 80, PE 100



d	s		h		l	€/pcs.	
	SDR 17/17.6	SDR 11	SDR 17/17.6	SDR 11		SDR 17/17.6	SDR 11
25							
32		2.3		9	51		2.00
40		3.0		10.5	57		2.40
50		3.7		11.6	55		2.80
63		4.6		12	63		3.60
75		5.8		14.5	66		4.20
90	4.5	6.9	18	16.5	78	5.30	5.30
110	5.4	8.2	18	17.5	84	6.90	7.00
125	6.6	10.0	18	18.5	100	8.60	8.70
140	7.4	11.4	18	26	108	10.70	10.70
160	8.3	12.8	18	25	109	13.70	13.70
180	9.5	14.6	18	25	110	15.50	15.50
200	10.7	16.4	20	31	115	24.30	24.30
225	11.9	18.2	24	32	127	27.40	27.60
250	13.4	20.5	24	32.5	137	29.60	29.60
280	14.8	22.7	25	35	146	35.90	45.50
315	16.6	25.4	25	35	156	54.20	60.20
355	18.7	28.6	25	35	165	71.10	76.40
400	21.1	32.2	30	40	172	122.90	132.10
	23.7	36.3	33	45	192	216.90	233.00

Prefabricated ring beam - short

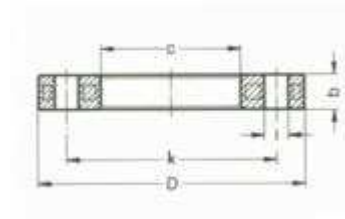
PE 80, PE 100



d	S		h	l min	€/pcs.		
	SDR 17/17.6	SDR 11			SDR 17/17.6	SDR 11	
25							
32		2.3	9	18		1,58	
40		3.0	10	18		1,79	
50		3.7	11	18		2,10	
63	2.9	4.6	12	18	2,32	2,52	
75	3.8	5.8	14	18	2,73	3,05	
90	4.5	6.9	16	28	3,26	3,68	
110	5.4	8.2	17	29	4,52	5,15	
125	6.6	10.0	18	41	5,88	6,41	
140	7.4	11.4	18	25	48	7,04	7,67
160	8.3	12.8	18	25	54	8,19	9,03
180	9.5	14.6	18	25	55	10,08	11,24
200	10.7	16.4	20	30	60	14,70	17,12
225	11.9	18.2	24	32	67	17,96	18,80
250	13.4	20.5	24	32	72	20,48	21,00
280	14.8	22.8	25	35	77	28,88	31,82
315	16.6	25.5	25	35	81	31,82	34,65
355	18.7	28.7	25	35	95	38,64	40,85
400	21.1	32.3	30	40	30	66,15	72,45
450	23.7	36.4	33	46	42	138,60	149,63
500	26.7	41.0	46	60	14	231,00	234,15
560	29.7	45.5	46	60	24	220,05	221,34
630	33.2	51.0	50	60	10	322,06	327,60
	37.4	57.5	50	60	30	309,65	309,65

Galvanized steel flange

PN 10, PE 100



d	d1	PLN/pcs.
25	20	9,00
32	25	9,00
40	32	14,10
50	40	16,00
63	50	22,00
75	65	26,00
90	80	31,00
110	100	36,00
125	100	36,00
140	125	38,00
160	150	72,00
180	150	80,00
200	200	110,00
225	200	120,00
250	250	180,00
300	250	180,00
315	300	205,00
355	350	320,00
400	400	360,00

Polypropylene flange with steel liner

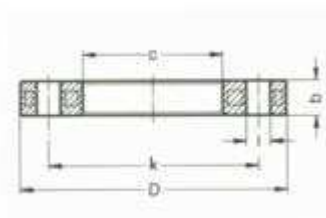
PN 10, PE 100



d	DN	D	k	B	c	I	AL	Stp	€/pcs.
25	20	105	75	14	34	14	4	5	3,95
32	25	115	85	14	42	14	4	5	4,95
40	32	140	100	16	51	18	4	5	5,85
50	40	150	110	18	62	18	4	5	7,00
63	50	165	125	18	78	18	4	5	8,85
75	65	185	145	18	92	18	4	5	9,85
90	80	200	160	18	108	18	8	5	12,00
110	100	220	180	18	128	18	8	5	16,40
125	100	220	180	18	135	18	8	5	16,40
140	125	250	210	24	158	18	8	5	20,60
160	150	285	240	24	178	22	8	5	25,40
180	150	285	240	24	188	22	8	5	25,40
200	200	340	295	24	235	22	8	5	37,10
225	200	340	295	24	238	22	8	5	37,10
250	250	406	350	31	288	22	12	5	46,20
280	250	406	350	34	294	22	12	5	46,20
315	300	460	400	34	338	22	12	5	71,80
355	350	520	460	39	376	22	16	5	133,00
400	400	580	515	43	430	26	16	5	151,00

GFK Flange

PN 10, PE 100



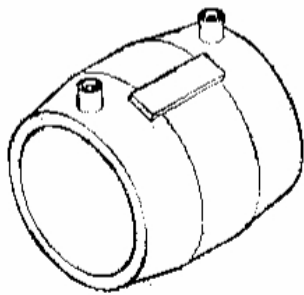
d	DN	D	k	B	c	I	AL	Stp	€/pcs.
16	10	90	60	12	23	14	4	5	
20	15	95	65	12	28	14	4	5	
25	20	105	75	14	34	14	4	5	4.76
32	25	115	85	14	42	14	4	5	5.20
40	32	140	100	16	51	18	4	5	6.60
50	40	150	110	18	62	18	4	5	9.10
63	50	165	125	18	78	18	4	5	10.10
75	65	185	145	18	92	18	4	5	11.10
90	80	200	160	18	108	18	8	5	13.80
110	100	220	180	18	128	18	8	5	15.90
125	100	220	180	18	135	18	8	5	15.90
140	125	250	210	24	158	18	8	5	24.90
160	150	285	240	24	178	22	8	5	26.60
180	150	285	240	24	188	22	8	5	26.60
200	200	340	295	24	235	22	8	5	39.50
225	200	340	295	24	238	22	8	5	39.50

AMARGO

PE HD Fittings
01.10.2008

PE min. SDR 11 Electrofusion pressure socket

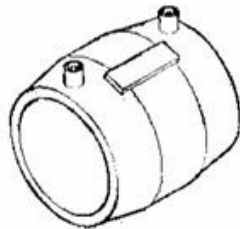
PE 100



d	code	Euro/pcs.
20	12EME 20	2,31
25	12EME 25	2,52
32	12EME 32	2,73
40	12EME 40	2,94
50	12EME 50	4,41
63	12EME 63	4,62
75	12EME 75	6,51
90	12EME 90	8,61
110	12EME 110	10,29
125	12EME 125	14,28
140	12EME 140	16,80
160	12EME 160	18,90
180	12EME 180	28,35
200	12EME 200	33,60
225	12EME 225	46,20
250	12EME 250	73,50
280	12EME 280	88,20
315	12EME 315	102,90
355	12EME 355	189,00
400	12EME 400	220,50
450	12EME 500	462,00
500	12EME 630	532,35

PE min. SDR 17 Electrofusion pressure socket

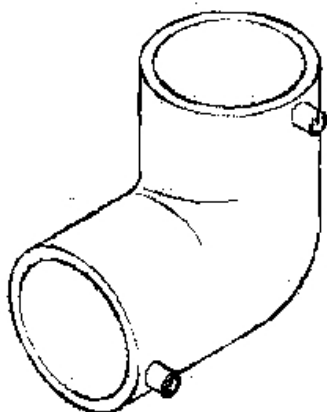
PE 100



d	Euro/pcs.
225	42,00
250	48,30
280	71,40
315	77,70
355	168,00
400	199,50
450	294,00
500	325,50
560	535,50
630	682,50
710	1 333,50

90°SDR 11 min SDR 17,6 Electrofusion elbow

PE 100



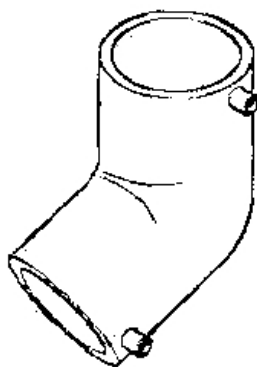
d	code	Euro/pcs.
20	12EGEM 20	5,67
25	12EGEM 25	5,78
32	12EGEM 32	5,99
40	12EGEM 40	7,14
50	12EGEM 50	8,93
63	12EGEM 63	10,29
75	12EGEM 75	15,33
90	12EGEM 90	18,06
110	12EGEM 110	26,25
125	12EGEM 125	36,12
160	12EGEM 160	71,76
180	12EGEM 180	90,40

AMARGO

PE HD Fittings
01.10.2008

45° SDR 11 min SDR 17,6 Electrofusion elbow

PE 100



d	code	Euro/pcs.
20	ECEM 20	-
32	ECEM 32	5,99
40	ECEM 40	7,14
50	ECEM 50	10,29
63	ECEM 63	10,29
75	ECEM 75	15,33
90	ECEM 90	18,06
110	ECEM 110	26,25
125	ECEM 125	36,12
160	ECEM 160	71,76
125	ECEM 180	90,40

30° SDR 11 min SDR 17,6 Electrofusion elbow

PE 100

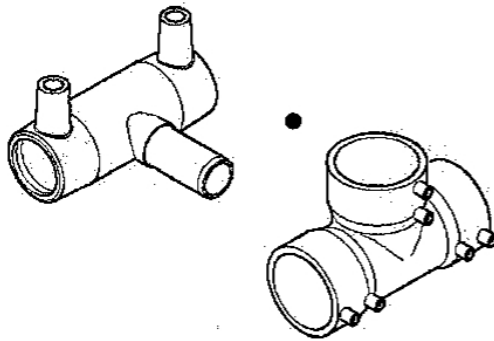
30° SDR 11 Electrofusion elbow

PE 100

d	Euro/pcs.
90	19,84
110	27,56
125	37,49

SDR 11 Electrofusion tee

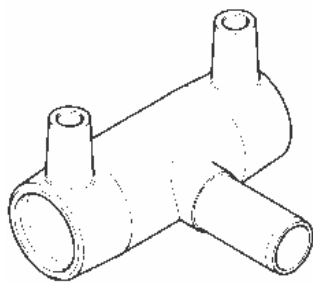
PE 100



d	code	Euro/pcs.
20	ETCE 020	6,20
25	ETCE 025	6,20
32	ETCE 032	6,20
40	ETE40	7,14
50	ETE50	9,03
63	ETCE63	10,40
75	ETE75	14,18
90	ETE90	20,37
110	ETE110	26,67
125	ETE125	34,86
160	ETCE160	87,99
180	ETCE180	134,30

Electrofusion reduction tee

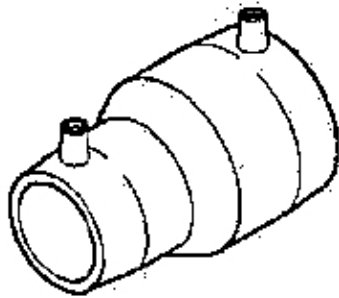
PE 100



d	code	EUR/pcs.
110-63	12ETER1163	30,00
110-90	12ETER1190	30,00
125-63	12ETER1263	38,00
126-90	12ETER1290	38,00
125-110	12ETER12110	38,00

SDR 11 Electrofusion reduction

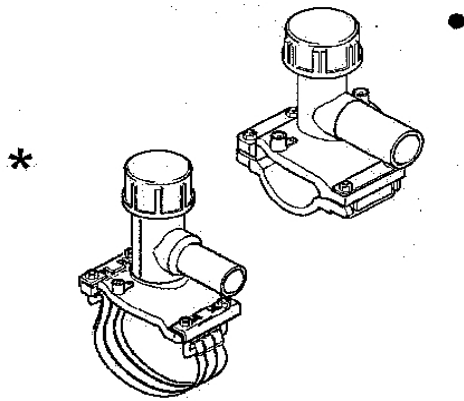
PE 100



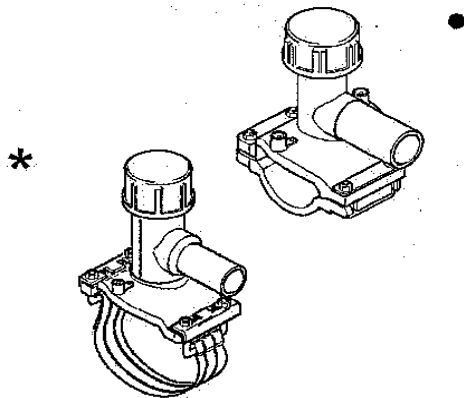
d	code	Euro/pcs.
25/20	12ERDE2520	4,62
32/20	12ERDE3220	4,62
32/25	12ERDE3225	3,89
40/32	12ERDE4032	6,09
50/32	12ERDE5032	7,67
50/40	12ERDE5040	8,40
63/32	12ERDE6332	9,03
63/40	12ERDE6340	8,40
63/50	12ERDE6350	9,03
90/50	12ERDE9050	15,75
90/63	12ERDE9063	20,48
110/63	12ERDE11063	23,84
110/90	12ERDE11090	26,25
125/63	12ERDE12563	29,40
125/90	12ERDE12590	29,40
125/110	12ERDE125110	29,40
160/90	12ERDE16090	33,08
160/110	12ERDE1611	33,08
160/125	12ERDE1612	33,08
200/160	12ERDE2016	199,50
225/160	12ERDE2216	245,07

Saddle tee

PE 100



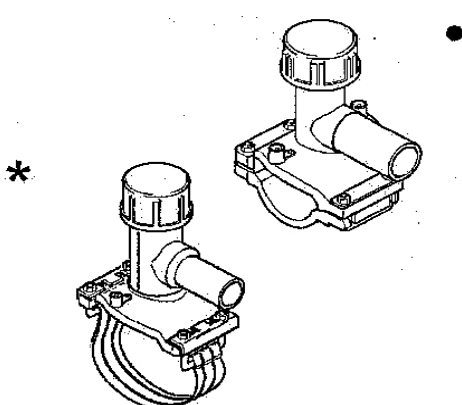
d	code	Euro/pcs.
40/20•	12EPRES04020	14,80
50/20•	12EPRES05020	16,17
63/20•	12EPRES06320	17,54
75/20•	12EPRES07520	20,90
90/20•*	12EPRES09020	20,90
110/20•*	12EPRES11020	23,00
125/20•*	12EPRES12520	26,14
140/20*	12EPRES14020	33,18
160/20*	12EPRES16020	36,44
180/20*	12EPRES18020	38,64
200/20*	12EPRES20020	45,47
225/20*	12EPRES22520	48,09
250/20*	12EPRES25020	67,41
280/20*	12EPRES28020	69,20
315/20*	12EPRES31520	71,09



d	code	Euro/pcs.
40/25•	12EPRES04025	14,80
50/25•	12EPRES05025	16,17
63/25•	12EPRES06325	17,54
75/25•	12EPRES07525	20,90
90/25•*	12EPRES09025	20,90
110/25•*	12EPRES11025	23,00
125/25•*	12EPRES12525	26,14
140/25*	12EPRES14025	33,18
160/25*	12EPRES16025	36,44
180/25*	12EPRES18025	38,64
200/25*	12EPRES20025	45,47
225/25*	12EPRES22525	48,09
250/25*	12EPRES25025	67,41
280/25*	12EPRES28025	69,20
315/25*	12EPRES31525	71,09

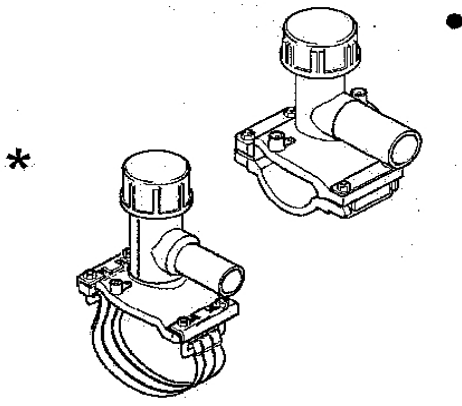
Saddle tee

PE 100

	d	code	Euro/pcs.
	40/32•	12EPRES04032	14,80
	50/32•	12EPRES05032	16,17
	63/32•	12EPRES06332	17,54
	75/32•	12EPRES07532	20,90
	90/32•*	12EPRES09032	20,90
	110/32•*	12EPRES11032	23,00
	125/32•*	12EPRES12532	26,14
	140/32*	12EPRES14032	33,18
	160/32*	12EPRES16032	36,44
	180/32*	12EPRES18032	38,64
	200/32*	12EPRES20032	45,47
	225/32*	12EPRES22532	48,09
	250/32*	12EPRES25032	67,41
	280/32*	12EPRES28032	69,20
	315/32*	12EPRES31532	71,09

Saddle tee

PE 100

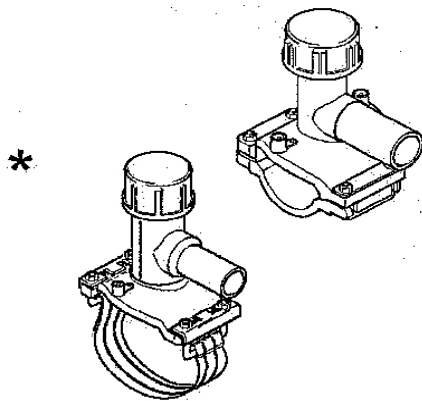
	d	code	Euro/pcs.
	63/40•	12EPRES06340	21,10
	75/40	12EPRES07540	22,68
	90/40•*	12EPRES09040	22,68
	110/40•*	12EPRES11040	24,78
	125/40•*	12EPRES12540	35,28
	140/40*	12EPRES14040	34,97
	160/40*	12EPRES16040	38,22
	180/40*	12EPRES18040	40,43
	200/40*	12EPRES20040	47,25
	225/40*	12EPRES22540	49,88
	250/40*	12EPRES25040	69,20
	280/40*	12EPRES28040	69,20
	315/40*	12EPRES31540	71,09

AMARGO

PE HD Fittings
01.10.2008

Saddle tee

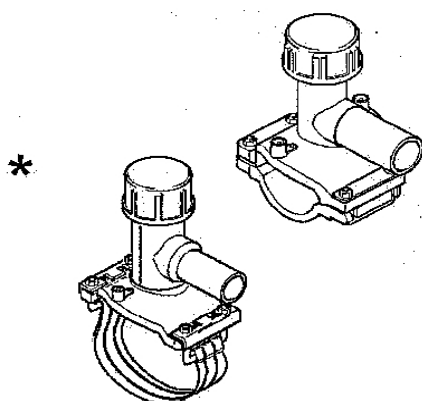
PE 100



d	code	Euro/pcs.
63/50•*	12EPRES09050	21,12
75/50•*	12EPRES11050	31,50
90/50•*	12EPRES12550	34,65
110/50•*	12EPRES14050	35,70
125/50•*	12EPRES16050	36,75
140/50*	12EPRES18050	37,80
160/50*	12EPRES20050	38,85
180/50*	12EPRES22550	42,00
200/50*	12EPRES25050	52,50
225/50*	12EPRES28050	56,70
250/50*	12EPRES31550	71,40
280/50*	12EPRES28050	73,50
315/50*	12EPRES31550	79,80

Saddle tee

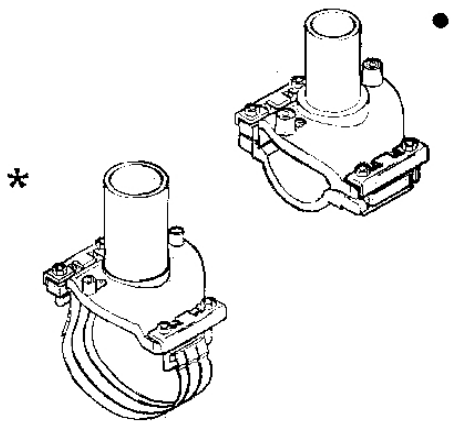
PE 100



d	code	Euro/pcs.
75/63•*	12EPRES09063	31,50
90/63•*	12EPRES11063	34,65
110/63•*	12EPRES12563	35,70
125/63•*	12EPRES14063	36,75
140/63*	12EPRES16063	37,80
160/63*	12EPRES18063	38,85
180/63*	12EPRES20063	42,00
200/63*	12EPRES22563	52,50
225/63*	12EPRES25063	56,70
250/63*	12EPRES28063	71,40
280/63*	12EPRES31563	73,50
315/63*	12EPRES31563	79,80

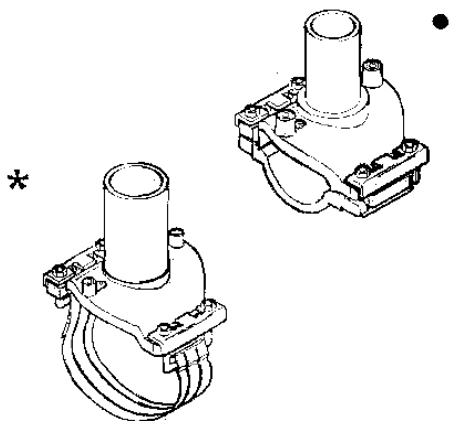
Bracket without drilled hole

PE 100

	d	code	Euro/pcs.
	40/20•	12ECOL04020	10,50
	50/20•	12ECOL05020	12,60
	63/20•	12ECOL06320	13,65
	75/20•	12ECOL07520	14,70
	90/20•*	12ECOL09020	15,75
	110/20•*	12ECOL11020	16,80
	125/20•*	12ECOL12520	17,85
	140/20*	12ECOL14020	24,15
	160/20*	12ECOL16020	27,40
	180/20*	12ECOL18020	29,50
	200/20*	12ECOL20020	36,44
	225/20*	12ECOL22520	39,06
	250/20*	12ECOL25020	58,38
	280/20*	12ECOL28020	60,27
	315/20*	12ECOL31520	60,27

Bracket without drilled hole

PE 100

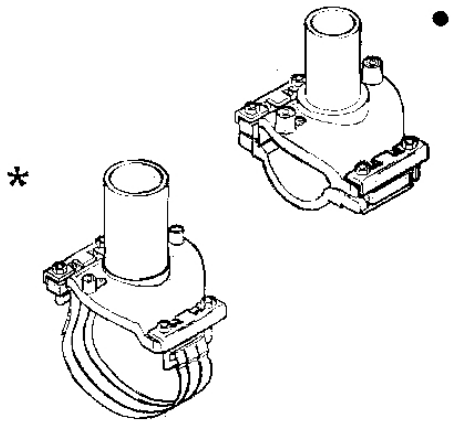
	D	code	Euro/pcs.
	40/25•	12ECOL04025	10,50
	50/25•	12ECOL05025	12,60
	63/25•	12ECOL06325	13,65
	75/25•	12ECOL07525	14,70
	90/25•*	12ECOL09025	15,75
	110/25•*	12ECOL11025	16,80
	125/25•*	12ECOL12525	17,85
	140/25*	12ECOL14025	24,15
	160/25*	12ECOL16025	27,40
	180/25*	12ECOL18025	29,50
	200/25*	12ECOL20025	36,44
	225/25*	12ECOL22525	39,06
	250/25*	12ECOL25025	58,38
	280/25*	12ECOL28025	60,27
	315/25*	12ECOL31525	60,27

AMARGO

PE HD Fittings
01.10.2008

Bracket without drilled hole

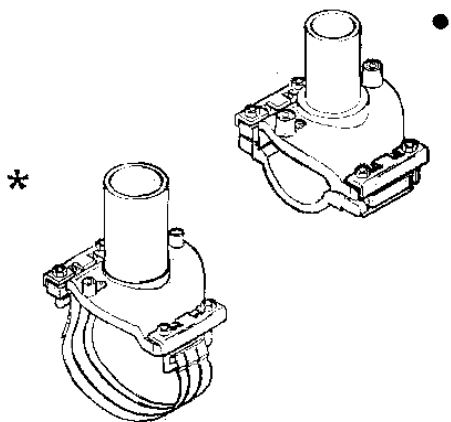
PE 100



d	code	Euro/pcs.
40/32•	12ECOL04032	10,50
50/32•	12ECOL05032	12,60
63/32•	12ECOL06332	13,65
75/32•	12ECOL07532	14,70
90/32•*	12ECOL09032	15,75
110/32•*	12ECOL11032	16,80
125/32•*	12ECOL12532	17,85
140/32*	12ECOL14032	24,15
160/32*	12ECOL16032	27,40
180/32*	12ECOL18032	29,50
200/32*	12ECOL20032	36,44
225/32*	12ECOL22532	39,06
250/32*	12ECOL25032	58,38
280/32*	12ECOL28032	60,27
315/32*	12ECOL31532	60,27

Bracket without drilled hole

PE 100



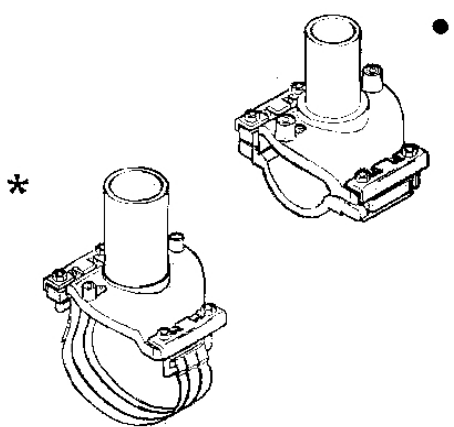
d	code	Euro/pcs.
40/40•	12ECOL04040	10,50
50/40•	12ECOL05040	12,60
63/40•	12ECOL06340	13,65
75/40•	12ECOL07540	14,70
90/40•*	12ECOL09040	15,75
110/40•*	12ECOL11040	16,80
125/40•*	12ECOL12540	17,85
140/40*	12ECOL14040	24,15
160/40*	12ECOL16040	27,40
180/40*	12ECOL18040	29,50
200/40*	12ECOL20040	36,44
225/40*	12ECOL22540	39,06
250/40*	12ECOL25040	58,38
280/40*	12ECOL28040	60,27
315/40*	12ECOL31540	60,27

AMARGO

PE HD Fittings
01.10.2008

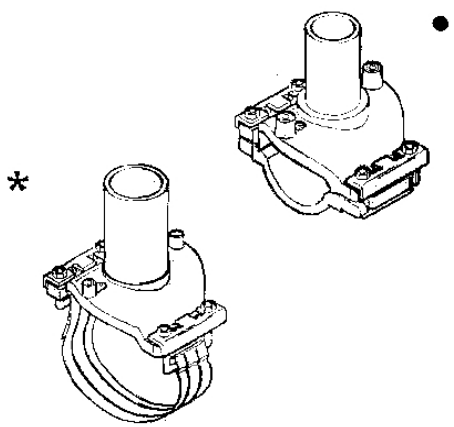
Bracket without drilled hole

PE 100

	d	code	Euro/pcs.
	63/50•	12ECOL06350	**
	75/50•*	12ECOL07550	14,70
	90/50•*	12ECOL09050	15,75
	110/50•*	12ECOL11050	16,80
	125/50•*	12ECOL12550	17,85
	140/50*	12ECOL14050	24,15
	160/50*	12ECOL16050	27,40
	180/50*	12ECOL18050	29,50
	200/50*	12ECOL20050	36,44
	225/50*	12ECOL22550	39,06
	250/50*	12ECOL25050	58,38
	280/50*	12ECOL28050	60,27
	315/50*	12ECOL31550	60,27

Bracket without drilled hole

GROUP III ARTICLE

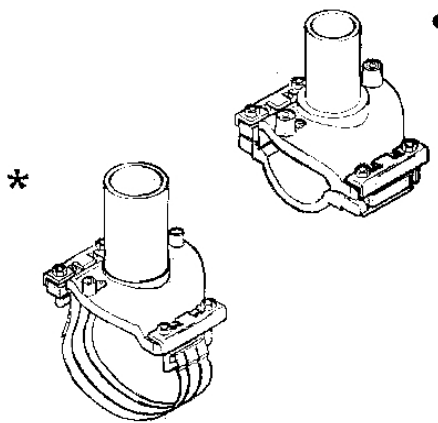
	d	code	Euro/pcs.
	75/63•	12ECOL07563	14,70
	90/63•*	12ECOL09063	15,75
	110/63•*	12ECOL11063	16,80
	125/63•*	12ECOL12563	17,85
	140/63*	12ECOL14063	24,15
	160/63*	12ECOL16063	27,40
	180/63*	12ECOL18063	29,50
	200/63*	12ECOL20063	36,44
	225/63*	12ECOL22563	39,06
	250/63*	12ECOL25063	58,38
	280/63*	12ECOL28063	60,27
	315/63*	12ECOL31563	60,27

AMARGO

PE HD Fittings
01.10.2008

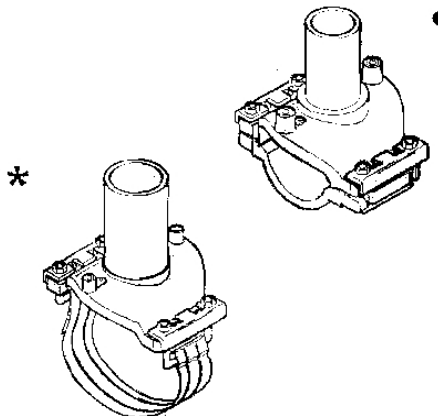
Bracket without drilled hole

PE 100

	d	code	Euro/pcs.
	110/75•*	12ECOL07563	46,20
	125/75•*	12ECOL09063	52,50
	140/75*	12ECOL11063	56,70
	160/75*	12ECOL12563	63,00
	180/75*	12ECOL14063	67,20
	200/75*	12ECOL16063	73,50

Bracket without drilled hole

PE 100

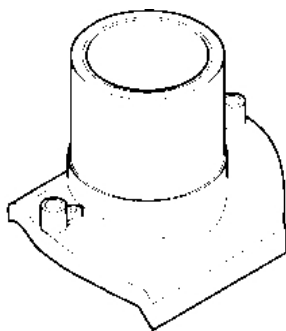
	d	code	Euro/pcs.
	110/90•*	12ECOL11090	52,50
	125/90•*	12ECOL12590	56,70
	140/90*	12ECOL14090	63,00
	160/90**	12ECOL16090	67,20
	180/90*	12ECOL18090	73,50
	200/90*	12ECOL20090	77,70
	225/90*	12ECOL22590	84,00
	250/90*	12ECOL25090	88,20
	280/90*	12ECOL28090	94,50
	315/90*	12ECOL31590	98,70

Bracket without drilled hole

GROUP III ARTICLE

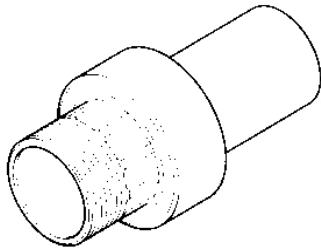
	d	code	Euro/pcs.
	125/110*		
	160/110*	12ECOL125110	71,40
	180/110*	12ECOL160110	73,50
	200/110*	12ECOL180110	77,70
	225/110*	12ECOL200110	84,00
	250/110*	12ECOL225110	88,20
	280/110*	12ECOL250110	94,50
	315/110*	12ECOL280110	98,70
		12ECOL315110	105,00
		140/125*	
	160/125*	12ECOL140125	84,00
	180/125*	12ECOL160125	88,20
	200/125*	12ECOL180125	94,50
	225/125*	12ECOL200125	98,70
	250/125*	12ECOL225125	105,00
	280/125*	12ECOL250125	147,00
	315/125*	12ECOL280125	71,40
		12ECOL315125	73,50

"TOP LOAD" Bracket without drilled hole



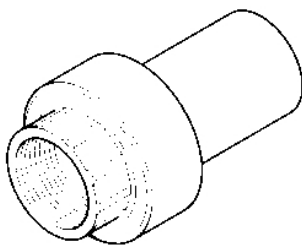
d	code	EUR/pcs.
355/400-63	ECOLTL354063	on request
355/400-90	ECOLTL354090	on request
450/500-90	ECOLTL455090	on request
355/400-100	ECOLTL3540110	on request
450/500-110	ECOLTL4550110	on request
355/400-125	ECOLTL3540125	on request
450/500-125	ECOLTL4550125	on request

PE brass outer thread adapter



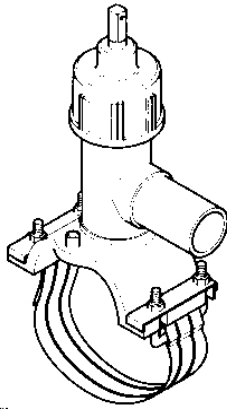
d	code	EUR/pcs.
20x1/2	12ERFM	9,45
25x3/4	12ERFM	9,45
32x3/4	12ERFM	9,45
32x1	12ERFM	12,60
40x1	12ERFM	12,60
40x1 1/4	12ERFM	17,33
50x1 1/2	12ERFM	21,00
50x2	12ERFM	25,20
63x2	12ERFM	21,00
75x2 1/2	12ERFM	25,20
90x3	12ERFM	44,10
110x4	12ERFM	63,00
125x4	12ERFM	69,30

PE brass internal thread adapter



d	code	EUR/pcs.
20x 1/2"	12EBD	9,45
25x3/4	12EBD	9,45
32/1	12EBD	12,60
40x1	12EBD	12,60
40x1 1/4"	12EBD	17,33
50x1 1/2"	12EBD	21,00
63x2	12EBD	25,20
75x2 1/2"	12EBD	44,10
90x3	12EBD	54,60
110x4	12EBD	63,00
125x4	12EBD	69,30

Saddle branch with clapper



	code	EUR/pcs.
90/63	12EPRV09063	86,20
	12EPRV11063	88,60
125/63	12EPRV12563	91,90
	12EPRV14063	99,30
160/63	12EPRV16063	102,90
	12EPRV18063	104,90
200/63	12EPRV20063	112,10
	12EPRV22563	114,90
250/63	12EPRV25063	135,30
	12EPRV28063	136,10
315/63	12EPRV31563	141,80

